

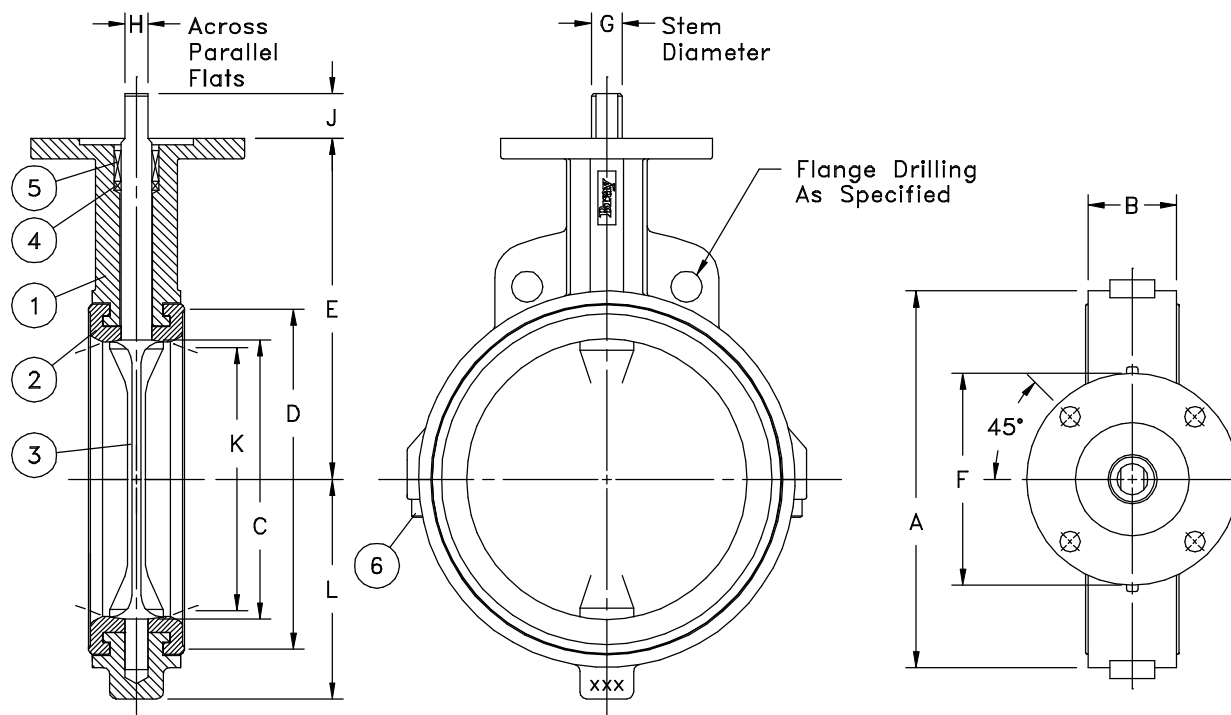
ATTENTION

THIS DOCUMENT IS VALID IF AND ONLY IF YOU PERSONALLY DOWNLOADED IF FROM WWW.BRAY.COM
 IF YOU RECEIVED THIS DOCUMENT FROM ANY OTHER SOURCE, PLEASE TAKE INTO CONSIDERATION THAT ALTERATIONS
 COULD HAVE BEEN MADE, FOR AN ORIGINAL COPY, PLEASE CONTACT BRAY VALVE AT 281-894-5454

SERIES 20
ES12A-0020
Date: May 1995


Valve Size	A	B	C	D	E	F	Top Plate BC	Drilling No. of Holes	Hole Diameter	G	H	J	K	L	Adapter Code	Weight Kg.
25	60	30	32	44	90	65	50	4	7	10	8	25	11	42	AA	0.9
40	80	33	47	64	105	65	50	4	7	10	8	25	35	55	AA	1.3
50	94	43	51	72	140	90	70	4	10	14	10	32	31	56	A	2.5
65	106	46	64	85	152	90	70	4	10	14	10	32	47	63	A	2.9
80	124	46	76	102	159	90	70	4	10	14	10	32	63	71	A	3.2
100	154	52	102	131	178	90	70	4	10	16	11	32	90	90	B	5.0
125	181	56	127	156	190	90	70	4	10	19	13	32	116	109	C	6.4
150	206	56	146	178	203	90	70	4	10	19	13	32	137	121	C	7.7
200	267	60	197	240	241	150	125	4	14	22	16	32	190	153	D	14.5
250	324	68	248	291	273	150	125	4	14	30	22	51	240	188	E	21.3
300	378	78	298	342	311	150	125	4	14	30	22	51	290	214	E	30.8

Note: K dim is disc chordal dimension at valve face.



6	CAP SCREW	2			
5	BUSHING	1			
4	PACKING	1			
3	DISC-STEM	1			
2	SEAT	1			
1	BODY	1			

ITEM No.	NAME	No. REQUIRED	SERIES/PART No.	MATERIAL	SPECIFICATION/REMARKS
----------	------	--------------	-----------------	----------	-----------------------

Valve Size _____ Flg. Drilling _____	 BRAY VALVE & CONTROLS A Subsidiary of BRAY INTERNATIONAL, Inc.	Bray										
Pressure Rating _____												
Customer/Project _____												
Inq./P.O. No. _____												
Bray Order No. _____	PARTS LIST and DIMENSIONS (Metric) BUTTERFLY VALVE, SERIES 20 SIZES 50 thru 300											
Certified Correct By _____ Date _____	<table border="1"> <thead> <tr> <th>Series</th> <th>Size</th> <th>Part No.</th> <th>Material Trim Code</th> <th>Drawing No.</th> </tr> </thead> <tbody> <tr> <td></td> <td></td> <td></td> <td></td> <td>ES12A-0020</td> </tr> </tbody> </table>	Series	Size	Part No.	Material Trim Code	Drawing No.					ES12A-0020	
Series	Size	Part No.	Material Trim Code	Drawing No.								
				ES12A-0020								