

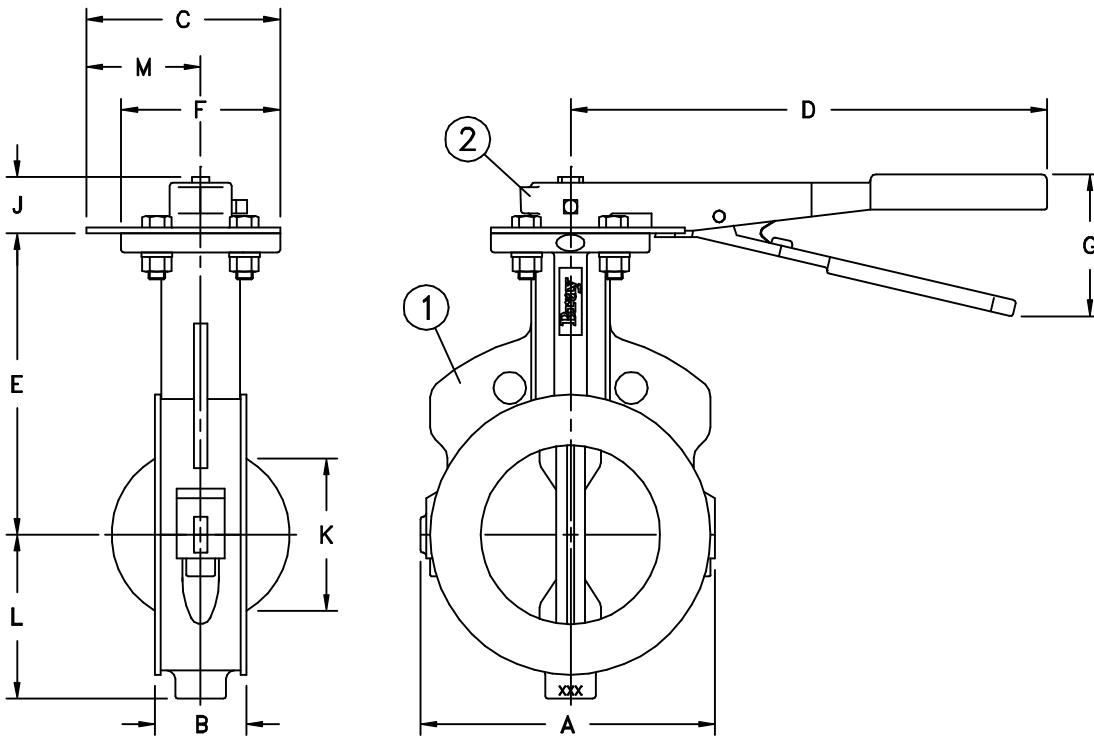
**SERIES 22**  
**ES12A-0258**  
**Date: July 1996**

**\*ATTENTION\***

THIS DOCUMENT IS VALID IF AND ONLY IF YOU PERSONALLY DOWNLOADED IF FROM WWW.BRAY.COM  
 IF YOU RECEIVED THIS DOCUMENT FROM ANY OTHER SOURCE, PLEASE TAKE INTO CONSIDERATION THAT ALTERATIONS  
 COULD HAVE BEEN MADE, FOR AN ORIGINAL COPY, PLEASE CONTACT BRAY VALVE AT 281-894-5454

Valve Size	A	B	C	D	E	F	G	J	K	L	M
50	108	43	110	270	140	90	80	32	29	56	65
65	122	46	110	270	152	90	80	32	45	63	65
80	137	46	110	270	159	90	80	32	62	71	65
100	170	52	110	270	178	90	80	32	88	90	65
125	206	56	110	270	190	90	80	32	115	109	65
150	225	56	110	270	203	90	80	32	136	121	65
200	286	60	169	298	241	150	80	32	189	153	94
250	344	68	169	298	273	150	80	51	239	188	94
300	392	78	169	298	311	150	80	51	289	214	94

Note: K dim is disc chordal dimension at valve face.



ITEM No.	NAME	No. REQUIRED	SERIES/PART No.	MATERIAL	SPECIFICATION/REMARKS
2	HANDLE KIT	1			
1	VALVE	1			

Valve Size \_\_\_\_\_ Flg. Drilling \_\_\_\_\_  
 Pressure Rating \_\_\_\_\_  
 Customer/Project \_\_\_\_\_  
 Inq./P.O. No. \_\_\_\_\_  
 Bray Order No. \_\_\_\_\_  
 Certified Correct By \_\_\_\_\_ Date \_\_\_\_\_

**The High Performance Company**  
**BRAY VALVE & CONTROLS**  
 A Subsidiary of BRAY INTERNATIONAL, Inc.

**DIMENSIONAL DRAWING (metric)**  
**SERIES 22, 50mm thru 300mm BUTTERFLY VALVES**  
**WITH SERIES 01 HANDLE KIT AND DIN FACE TO FACE**

Series	Size	Part No.	Material Trim Code	Drawing No.
				ES12A-0258

