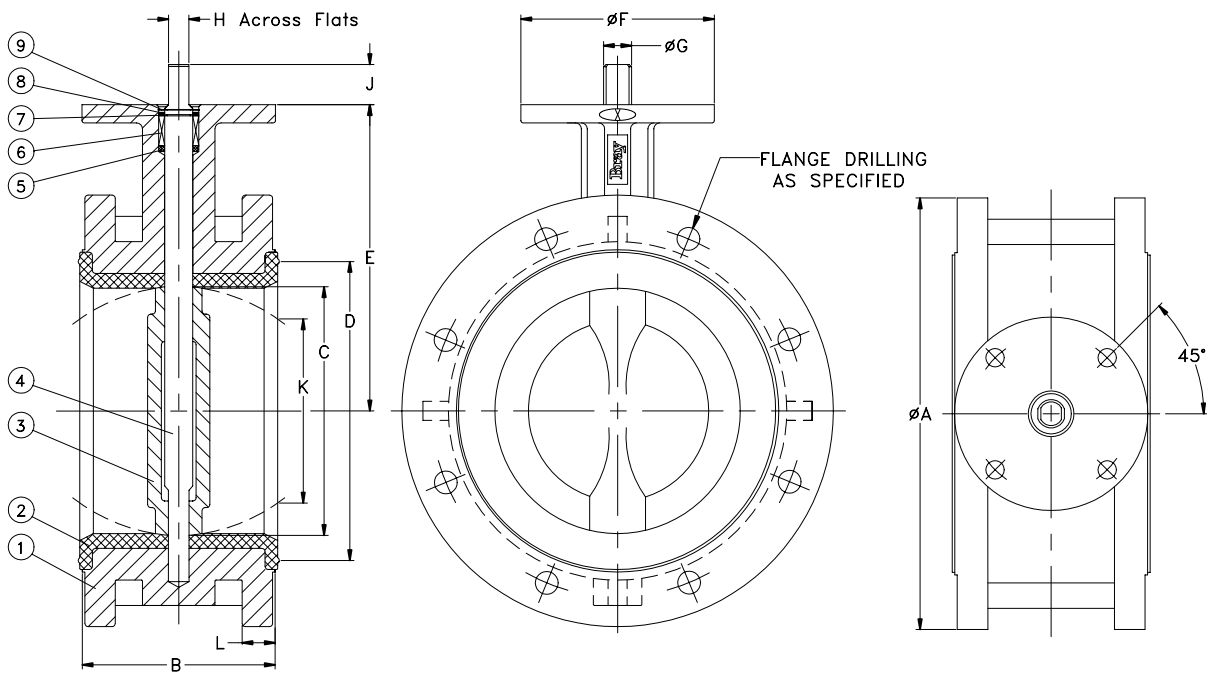


ATTENTION

THIS DOCUMENT IS VALID OF AND ONLY IF YOU PERSONALLY DOWNLOADED IF FROM WWW.BRAY.COM
 IF YOU RECEIVED THIS DOCUMENT FROM ANY OTHER SOURCE, PLEASE TAKE INTO CONSIDERATION THAT ALTERATIONS
 COULD HAVE BEEN MADE, FOR AN ORIGINAL COPY, PLEASE CONTACT BRAY VALVE AT 281-894-5454

Valve Size	A	B	C	D	E	F	Top Plate Drilling			G	H	J	K	L	Adapter Code	Weight (Kg)
							BC	No. of Holes	Hole Diameter							
50	165	108	51	72	140	90	70	4	9.9	14	10	32	X	20	A	10
65	185	112	64	85	152	90	70	4	9.9	14	10	32	X	20	A	11
80	200	114	76	102	159	90	70	4	9.9	14	10	32	X	22	A	12
100	220	127	102	131	178	90	70	4	9.9	16	11	32	X	24	B	15
125	250	140	127	156	190	90	70	4	9.9	19	13	32	X	26	C	20
150	285	140	146	178	203	90	70	4	9.9	19	13	32	45	26	C	26
200	343	152	197	241	241	150	125	4	14.5	22	16	32	127	30	D	30
250	405	165	248	291	273	150	125	4	14.5	30	22	51	187	32	E	57
300	483	178	298	342	311	150	125	4	14.5	30	22	51	242	32	E	77

Note: K dim is disc chordal dimension at valve face.



9	RETAINING RING	1			
8	THRUST WASHER	1			
7	STEM RETAINER	2			
6	BUSHING	1			
5	PACKING	1			
4	STEM	1			
3	DISC	1			
2	SEAT	1			
1	BODY	1			
ITEM No.	NAME	No. REQUIRED	SERIES/PART No.	MATERIAL	SPECIFICATION/REMARKS

Valve Size _____ Pressure Rating _____
 Flg. Drilling _____
 Customer/Project _____
 Inq./P.O.No. _____
 Bray Order No. _____
 Certified Correct By _____ Date _____

PART LIST AND DIMENSIONS (METRIC) BUTTERFLY VALVE
 WITH DOUBLE FLANGE SERIES 3A SIZES DN50-DN300

Bray CONTROLS
 A Division of BRAY INTERNATIONAL, Inc.

SHEET	REV.
1 OF 1	RFP
DRAWING NO.	
ES12A-0271	