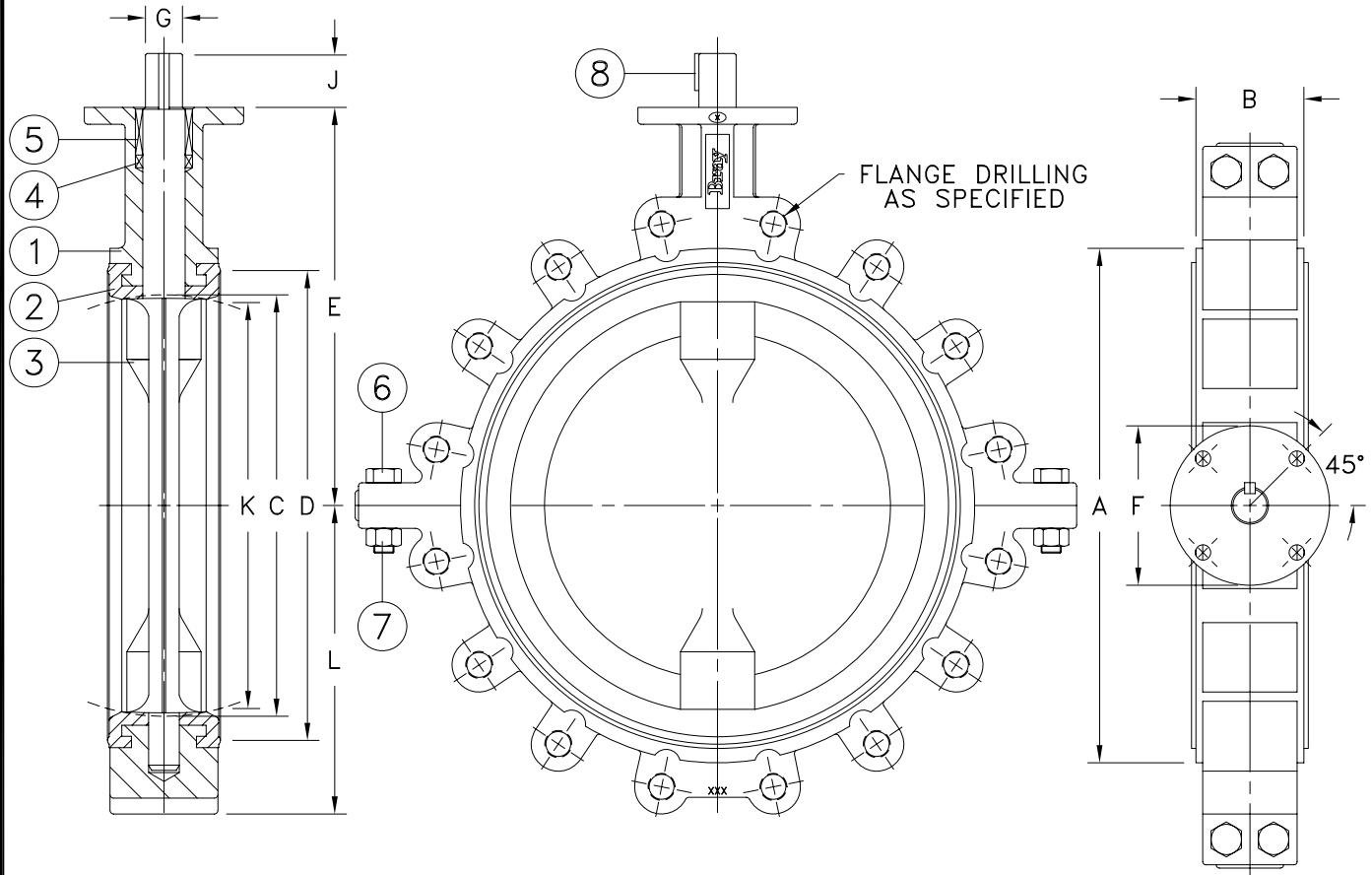


ATTENTION


THIS DOCUMENT IS VALID IF AND ONLY IF YOU PERSONALLY DOWNLOADED IT FROM WWW.BRAY.COM
IF YOU RECEIVED THIS DOCUMENT FROM ANY OTHER SOURCE, PLEASE TAKE INTO CONSIDERATION THAT ALTERATIONS
COULD HAVE BEEN MADE, FOR AN ORIGINAL COPY, PLEASE CONTACT BRAY VALVE AT 281-894-5454

Valve Size	A	B	C	D	E	F	BC	Top Plate No. of Holes	Drilling Hole Diameter	G	Key Size	J	K (Note 1)	L	Adapter Code	Weight (Kg.)
350	433	76	336	388	346	150	125	4	14	35	10x10	51	331	252	F	44
400	488	102	387	442	375	150	125	4	14	35	10x10	51	377	292	F	61
450	536	108	438	494	406	210	165	4	20	50	10x12	64	428	341	G	92
500	590	127	489	548	438	210	165	4	20	50	10x12	64	476	367	G	120

Note 1: K dim is disc chordal dimension at valve face.
Note 2: 350 Valve has 2 capscrews



8	KEY	1			
7	NUT	4			
6	BOLT	4			
5	BUSHING	1			
4	PACKING	1			
3	DISC-STEM	1			
2	SEAT	1			
1	BODY	1			
ITEM No.	NAME	No. REQUIRED	SERIES/PART No.	MATERIAL	SPECIFICATION/REMARKS

Valve Size _____ Pressure Rating _____	PARTS LIST and DIMENSIONS (Metric) BUTTERFLY VALVE, SERIES 21 SIZE 350mm thru 500mm								
Fig. Drilling _____									
Customer/Project _____									
Inq./P.O. No. _____									
Bray Order No. _____									
Certified Correct By _____ Date _____	 <small>A Division of BRAY INTERNATIONAL, Inc.</small>								
<table border="1" style="width: 100%;"> <tr> <td>SHEET</td> <td>REV.</td> </tr> <tr> <td align="center">1 OF 1</td> <td align="center">1</td> </tr> <tr> <td colspan="2">DRAWING NO.</td> </tr> <tr> <td colspan="2" style="text-align: right;">ES12A-0213</td> </tr> </table>		SHEET	REV.	1 OF 1	1	DRAWING NO.		ES12A-0213	
SHEET	REV.								
1 OF 1	1								
DRAWING NO.									
ES12A-0213									