

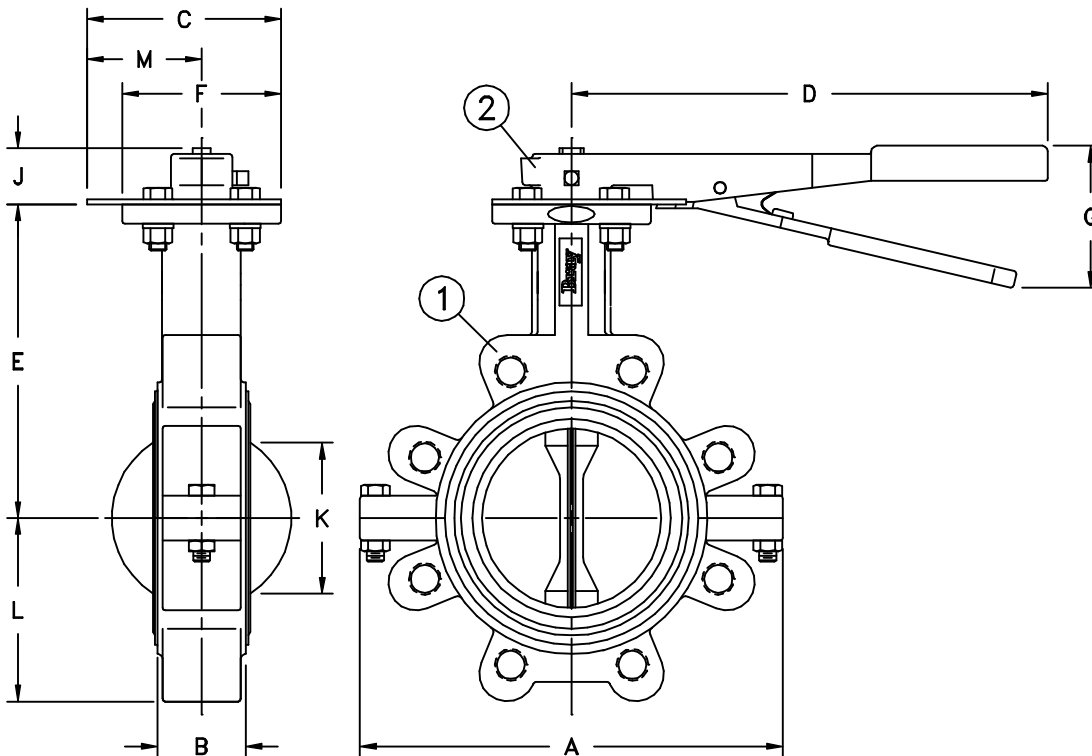
SERIES 21
ES12A-0252
Date: April 1997

ATTENTION

THIS DOCUMENT IS VALID IF AND ONLY IF YOU PERSONALLY DOWNLOADED IT FROM WWW.BRAY.COM
 IF YOU RECEIVED THIS DOCUMENT FROM ANY OTHER SOURCE, PLEASE TAKE INTO CONSIDERATION THAT ALTERATIONS
 COULD HAVE BEEN MADE, FOR AN ORIGINAL COPY, PLEASE CONTACT BRAY VALVE AT 281-894-5454

Valve Size	A	B	C	D	E	F	G	J	K	L	M
25	108	30	65	196	90	65	60	25	11	43	32
40	134	33	65	196	105	65	60	25	35	55	32
50	149	43	110	270	140	90	80	32	31	58	65
65	162	46	110	270	152	90	80	32	47	65	65
80	171	46	110	270	159	90	80	32	63	71	65
100	243	52	110	270	178	90	80	32	90	104	65
125	268	56	110	270	190	90	80	32	116	117	65
150	305	56	110	270	203	90	80	32	137	129	65
200	359	60	169	298	241	150	80	32	190	155	94
250	451	68	169	298	273	150	80	51	240	195	94
300	530	78	169	298	311	150	80	51	290	229	94

Note: K dlm is disc chordal dimension at valve face.



2	HANDLE KIT	1			
1	VALVE	1			
ITEM No.	NAME	No. REQUIRED	SERIES/PART No.	MATERIAL	SPECIFICATION/REMARKS

Valve Size _____ Flg. Drilling _____
 Pressure Rating _____
 Customer/Project _____
 Inq./P.O. No. _____
 Bray Order No. _____
 Certified Correct By _____ Date _____

The High Performance Company
BRAY VALVE & CONTROLS
 A Division of BRAY INTERNATIONAL, Inc.

DIMENSIONAL DRAWING (metric)
SERIES 21, 25mm thru 300mm BUTTERFLY VALVES
WITH SERIES 01 HANDLE KIT AND DIN FACE TO FACE

Series	Size	Part No.	Material Trim Code	Drawing No.
				ES12A-0252

