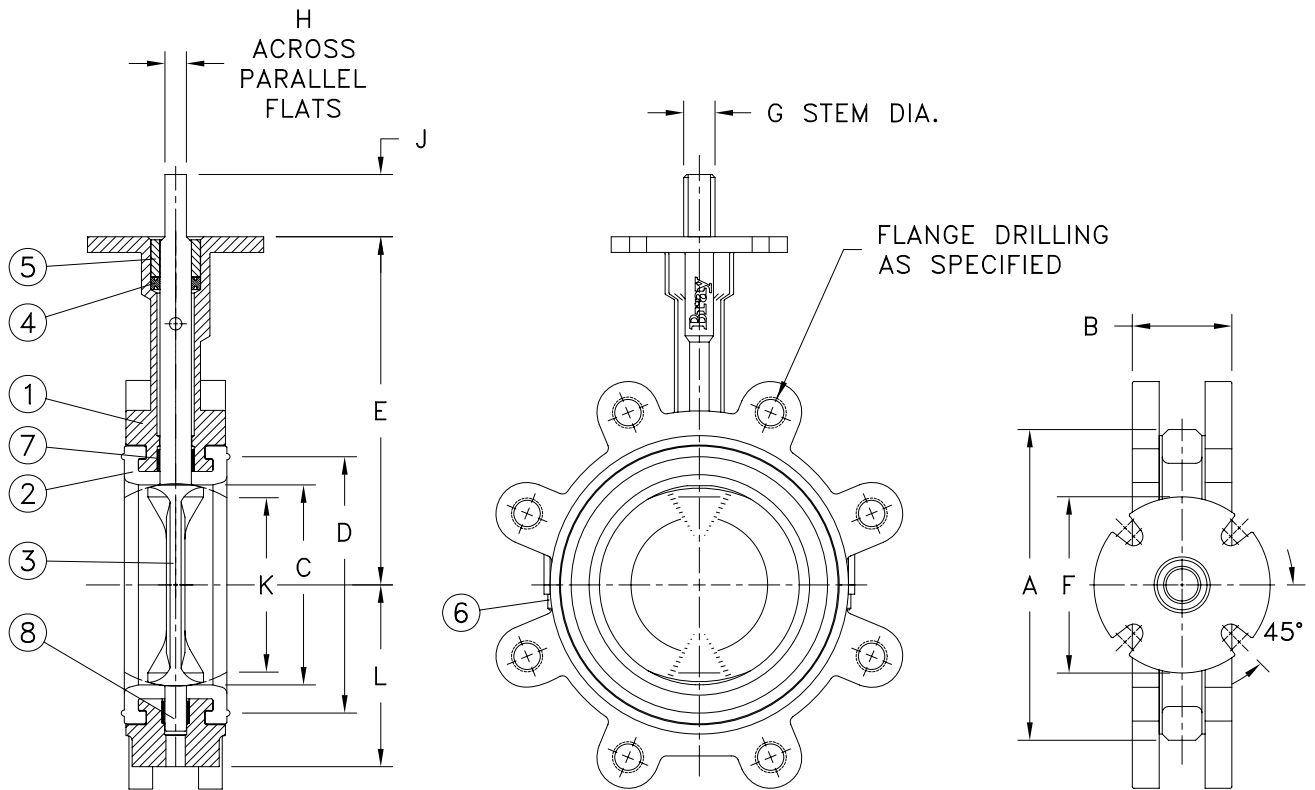


ATTENTION

THIS DOCUMENT IS VALID IF AND ONLY IF YOU PERSONALLY DOWNLOADED IT FROM WWW.BRAY.COM
IF YOU RECEIVED THIS DOCUMENT FROM ANY OTHER SOURCE, PLEASE TAKE INTO CONSIDERATION THAT ALTERATIONS
COULD HAVE BEEN MADE, FOR AN ORIGINAL COPY, PLEASE CONTACT BRAY VALVE AT 281-894-5454

Valve Size	A	B	C	D	E	F	Top Plate BC	Drilling No. of Holes	Hole Diameter	G	H	J	K	L	Lug BC	Bolting No. of Holes	Data Threads	Adapter Code	Weight
50	94	41	51	75	140	90	70	4	10	14	10	32	34	52	125	4	M16x20	A	
60	106	44	64	85	152	90	70	4	10	14	10	32	49	59	145	4	M16x20	A	
80	124	44	76	105	159	90	70	4	10	14	10	32	65	67	160	4	M16x20	A	
100	152	51	102	131	178	90	70	4	10	16	11	32	91	92	180	8	M16x20	B	
125	178	54	127	156	191	90	70	4	10	19	13	32	118	106	210	8	M20x2.5	C	
150	199	54	146	178	203	90	70	4	10	19	13	32	138	118	240	8	M20x2.5	C	

Note: (1.) K dim is disc chordal dimension at valve face.



8	LOWER BUSHING	1			
7	UPPER BUSHING	1			
6	CAP SCREW	2			
5	BUSHING	1			
4	PACKING	1			
3	DISC-STEM	1			
2	SEAT	1			
1	BODY	1			
ITEM No.	NAME	No. REQUIRED	SERIES Part/No.	MATERIAL	SPECIFICATIONS

Valve Size _____ Pressure Rating _____
 Fig. Drilling _____
 Customer/Project _____
 Inq./P.O. No. _____
 Bray Order No. _____

PARTS LIST & DIMENSIONS (METRIC)
 BUTTERFLY VALVE, STAINLESS STEEL
 SERIES 21 SIZES 50mm THRU 150mm



Bray CONTROLS
A Division of BRAY INTERNATIONAL, Inc.

SHEET	REV.
1 OF 1	RFP
DRAWING NO.	
ES12A-0408	