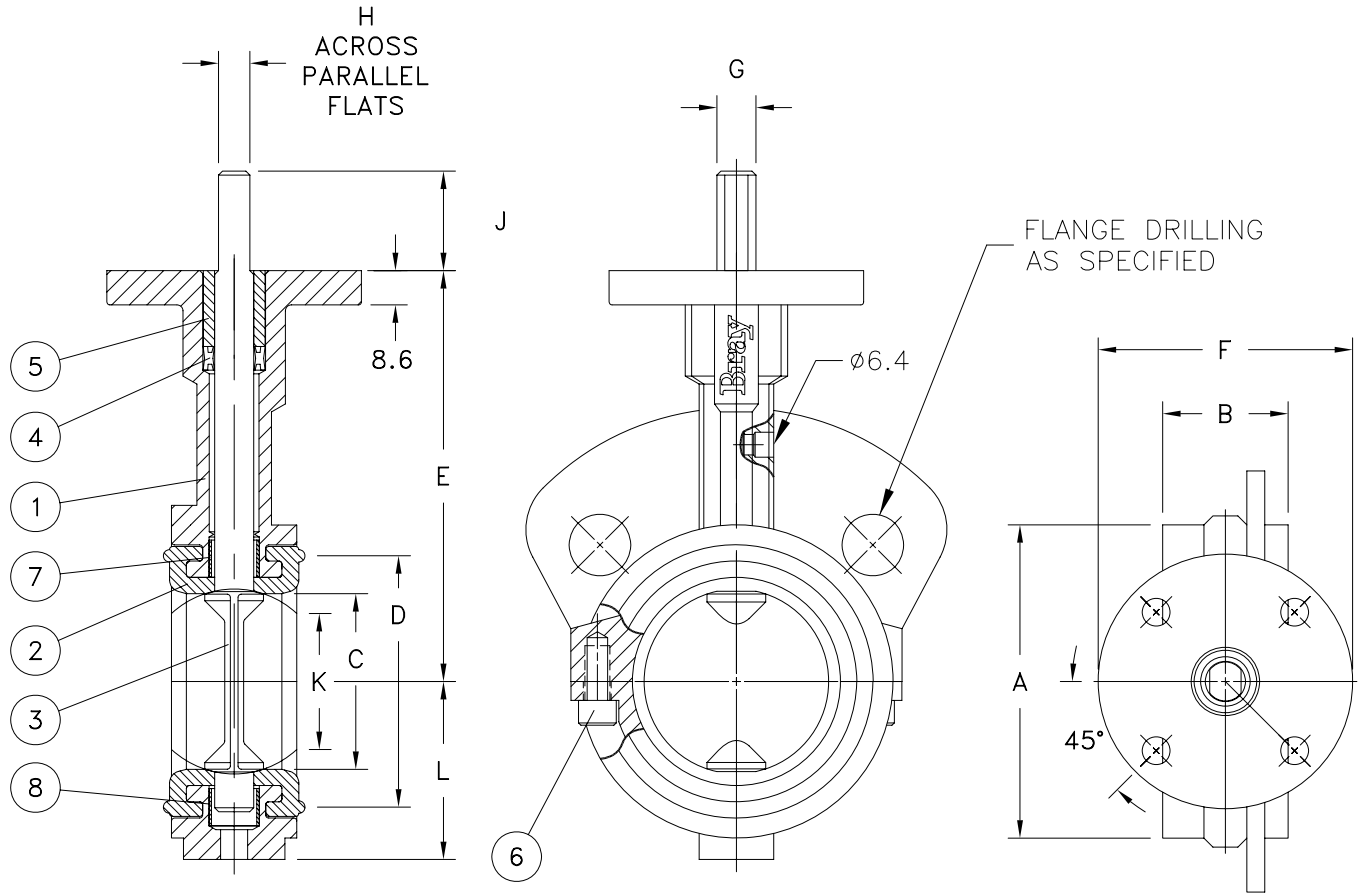


ATTENTION

THIS DOCUMENT IS VALID IF AND ONLY IF YOU PERSONALLY DOWNLOADED IT FROM WWW.BRAY.COM
 IF YOU RECEIVED THIS DOCUMENT FROM ANY OTHER SOURCE, PLEASE TAKE INTO CONSIDERATION THAT ALTERATIONS
 COULD HAVE BEEN MADE, FOR AN ORIGINAL COPY, PLEASE CONTACT BRAY VALVE AT 281-894-5454

| Valve Size | A | B | C | D | E | F | Top BC | Plate No. of Holes | Drilling Hole Diameter | G | H | J | K | L | Adapter Code | Weight Kg. |
|------------|------|------|------|------|-------|------|--------|--------------------|------------------------|-----|-----|------|------|------|--------------|------------|
| 25 | 59.9 | 30.0 | 30.0 | 43.9 | 89.9 | 65.0 | 50.0 | 4 | 7.1 | 9.9 | 8.1 | 25.4 | 11.1 | 37.6 | AA | 0.9 |
| 40 | 80.0 | 32.0 | 44.7 | 64.3 | 104.9 | 65.0 | 50.0 | 4 | 7.1 | 9.9 | 8.1 | 25.4 | 34.3 | 45.5 | AA | 1.4 |

Note 1: K dim is disc chordal dimension at valve face.
 2: For 50mm thru 150mm Valves, see ES12A-0277



| | | | | | |
|---|---------------|---|---|--|--|
| 8 | LOWER BUSHING | 1 | 1 | | |
| 7 | UPPER BUSHING | 1 | 1 | | |
| 6 | CAP SCREW | 2 | 2 | | |
| 5 | BUSHING | 1 | 1 | | |
| 4 | PACKING | 1 | 1 | | |
| 3 | DISC-STEM | 1 | 1 | | |
| 2 | SEAT | 1 | 1 | | |
| 1 | BODY | 1 | 1 | | |

| ITEM | NAME | REQUIRED | SERIES PART/NO | MATERIAL | SPECIFICATIONS |
|------|------|----------|----------------|----------|----------------|
|------|------|----------|----------------|----------|----------------|

Valve Size _____ Pressure Rating _____
 Flg. Drilling _____
 Customer/Project _____
 Inq./P.O. No. _____
 Bray Order No. _____
 Certified Correct By _____ Date _____

PARTS LIST & DIMENSIONS (INCHES)
 STAINLESS STEEL BUTTERFLY VALVE, SERIES 20
 SIZES 25mm & 40mm



| SHEET | REV. |
|-------------|------|
| 1 OF 1 | RFP |
| DRAWING NO. | |
| ES12A-0128 | |