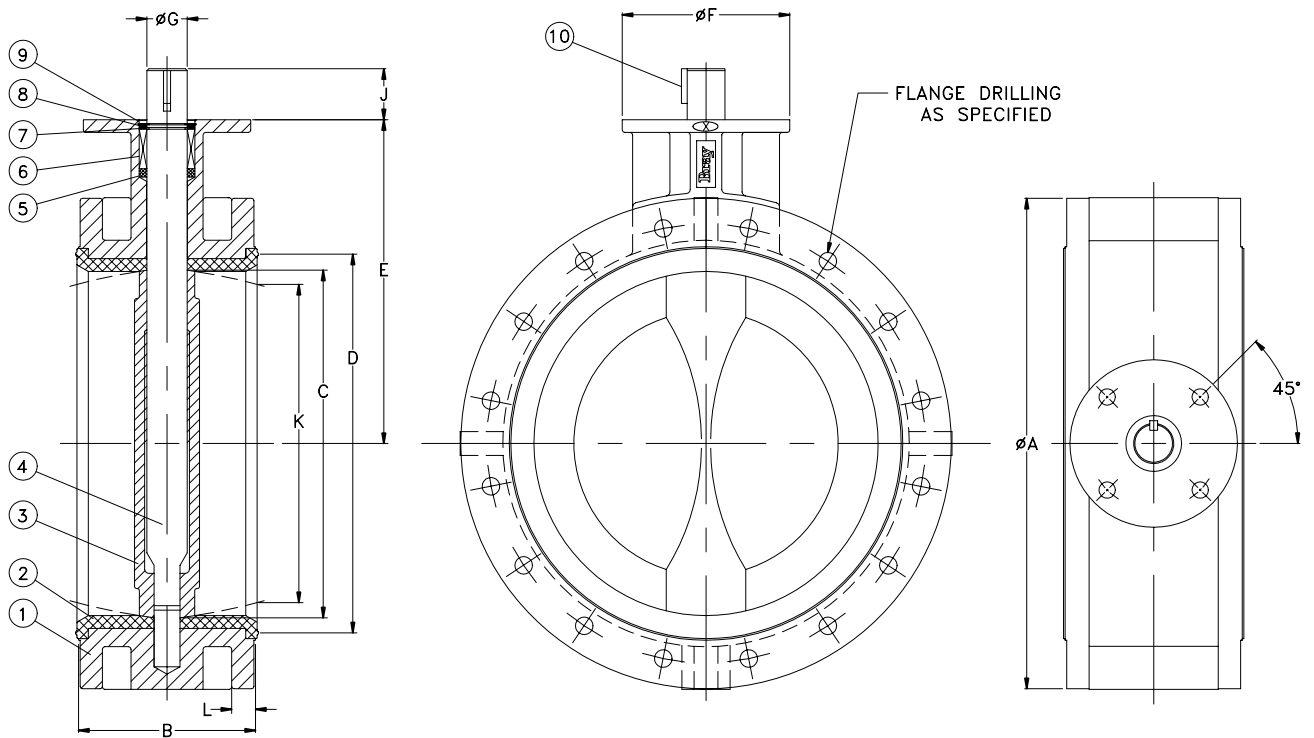


ATTENTION

THIS DOCUMENT IS VALID OF AND ONLY IF YOU PERSONALLY DOWNLOADED IF FROM WWW.BRAY.COM
 IF YOU RECEIVED THIS DOCUMENT FROM ANY OTHER SOURCE, PLEASE TAKE INTO CONSIDERATION THAT ALTERATIONS
 COULD HAVE BEEN MADE, FOR AN ORIGINAL COPY, PLEASE CONTACT BRAY VALVE AT 281-894-5454

Valve Size	A	B	C	D	E	F	Top Plate Drilling			G	KEY SIZE	J	K	L	Adapter Code	Weight (Kg)
							BC	No. of Holes	Hole Diameter							
350	533	190	337	388	346	150	125	4	14	35	10X10	51	281	36	F	112
400	597	216	387	442	375	150	125	4	14	35	10X10	51	325	38	F	136
450	640	222	438	495	406	210	165	4	21	50	12X10	64	381	42	G	198
500	715	229	489	548	438	210	165	4	21	50	12X10	64	436	42	G	227

Note: K dim is disc chordal dimension at valve face.



10	KEY	1			
9	RETAINING RING	1			
8	THRUST WASHER	1			
7	STEM RETAINER	2			
6	BUSHING	1			
5	PACKING	1			
4	STEM	1			
3	DISC	1			
2	SEAT	1			
1	BODY	1			
ITEM No.	NAME	No. REQUIRED	SERIES/PART No.	MATERIAL	SPECIFICATION/REMARKS

Valve Size _____ Pressure Rating _____
 Flg. Drilling _____
 Customer/Project _____
 Inq./P.O.No. _____
 Bray Order No. _____
 Certified Correct By _____ Date _____

PART LIST AND DIMENSIONS (METRIC) BUTTERFLY VALVE WITH DOUBLE FLANGE SERIES 3A SIZES DN350-DN500



Bray CONTROLS
A Division of BRAY INTERNATIONAL, Inc.

SHEET	1 OF 1	REV.	RFP
DRAWING NO.			
ES12A-0272			