

**SERIES 23
ES-20218**

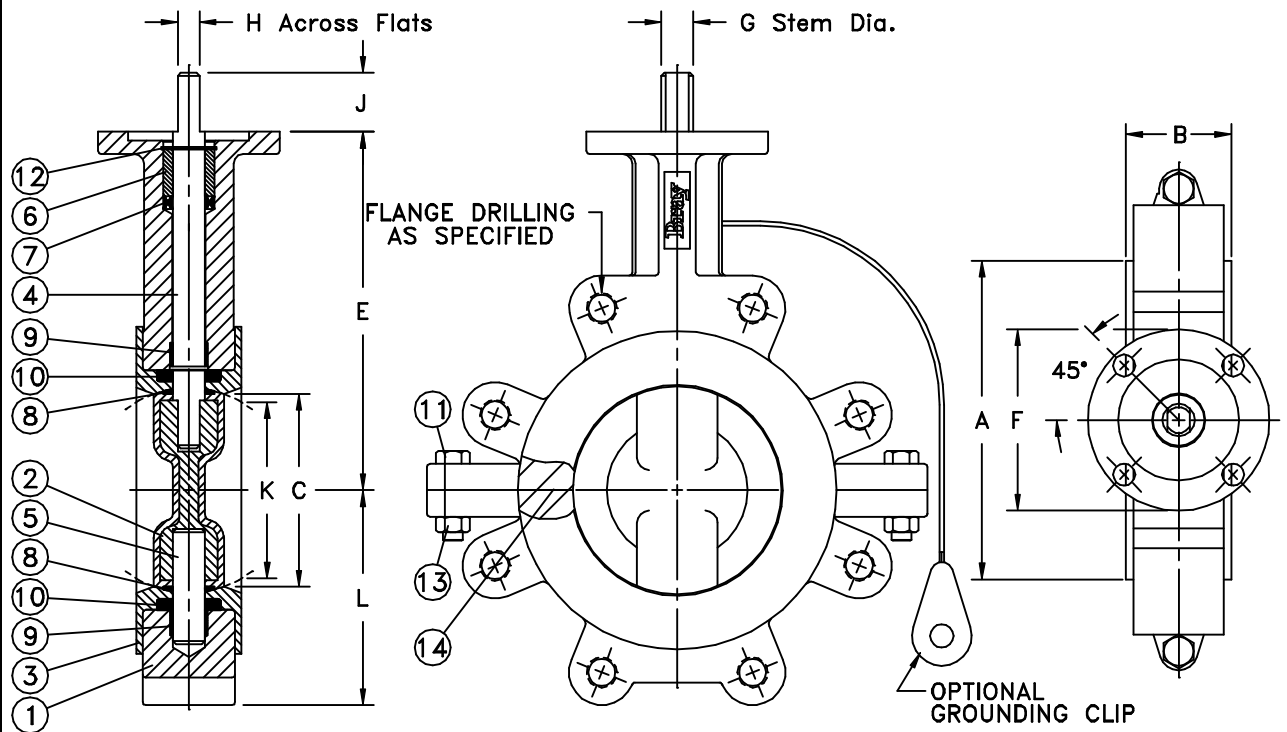
Date: November 1994

ATTENTION

THIS DOCUMENT IS VALID IF AND ONLY IF YOU PERSONALLY DOWNLOADED IF FROM WWW.BRAY.COM
IF YOU RECEIVED THIS DOCUMENT FROM ANY OTHER SOURCE, PLEASE TAKE INTO CONSIDERATION THAT ALTERATIONS
COULD HAVE BEEN MADE, FOR AN ORIGINAL COPY, PLEASE CONTACT BRAY VALVE AT 281-894-5454

| Valve Size | A | B | C | E | F | BC | Top Plate No. of Holes | Drilling Hole Diameter | G | H | J | K | L | Lug BC | Bolting No. of Holes | Data Threads ISO Coarse | Adapter Code | Weight Kg. |
|------------|-----|----|-----|-----|-----|-----|------------------------|------------------------|----|----|----|-----|-----|--------|----------------------|-------------------------|--------------|------------|
| 50 | 98 | 43 | 51 | 140 | 90 | 70 | 4 | 10 | 14 | 10 | 32 | 29 | 58 | | | | A | 3.5 |
| 65 | 111 | 46 | 64 | 152 | 90 | 70 | 4 | 10 | 14 | 10 | 32 | 45 | 63 | | | | A | 4.5 |
| 80 | 127 | 46 | 76 | 159 | 90 | 70 | 4 | 10 | 14 | 10 | 32 | 62 | 71 | | | | A | 5.0 |
| 100 | 159 | 52 | 102 | 178 | 90 | 70 | 4 | 10 | 16 | 11 | 32 | 88 | 104 | | | | B | 8.0 |
| 125 | 187 | 56 | 127 | 190 | 90 | 70 | 4 | 10 | 19 | 13 | 32 | 115 | 117 | | | | C | 9.5 |
| 150 | 216 | 56 | 146 | 203 | 90 | 70 | 4 | 10 | 19 | 13 | 32 | 136 | 129 | | | | C | 13.0 |
| 200 | 270 | 60 | 197 | 241 | 150 | 125 | 4 | 14 | 22 | 16 | 32 | 189 | 155 | | | | D | 23.5 |
| 250 | 324 | 68 | 248 | 273 | 150 | 125 | 4 | 14 | 30 | 22 | 51 | 239 | 195 | | | | E | 34.5 |
| 300 | 378 | 78 | 298 | 311 | 150 | 125 | 4 | 14 | 30 | 22 | 51 | 289 | 229 | | | | E | 52.5 |

Note: K dim is disc chordal dimension at valve face.



| 14 | BODY SEAL | 2 | | PTFE | | |
|----------|----------------|--------------|-----------------|-----------------|--------------------|-------------------|
| 13 | NUT | 2 | | STAINLESS STEEL | | |
| 12 | RETAINING RING | 1 | | STAINLESS STEEL | | |
| 11 | CAP SCREW | 2 | | STAINLESS STEEL | | |
| 10 | SEAT ENERGIZER | 2 | | SILICONE RUBBER | | |
| 9 | BEARING | 2 | | COMPOSITE | | |
| 8 | SEAL CAPSULE | 2 | | PTFE | | |
| 7 | STEM SEAL | 1 | | VITON | | |
| 6 | BUSHING | 1 | | ACETAL | | |
| 5 | LOWER STEM | 1 | | STAINLESS STEEL | | |
| 4 | UPPER STEM | 1 | | STAINLESS STEEL | | |
| 3 | SEAT | 1 | | VIRGIN PTFE | | |
| 2 | DISC | 1 | | PTFE/S. STL | | |
| 1 | BODY | 1 | | DUCTILE IRON | | |
| ITEM No. | NAME | No. REQUIRED | SERIES/PART No. | MATERIAL | ASTM SPECIFICATION | DIN SPECIFICATION |

Valve Size _____ Flg. Drilling _____
 Pressure Rating _____
 Customer/Project _____
 Inq./P.O. No. _____
 Bray Order No. _____
 Certified Correct By _____ Date _____



The High Performance Company

BRAY VALVE & CONTROLS
 A Subsidiary of BRAY INTERNATIONAL, Inc.

DIMENSIONAL DRAWING (Metric) FOR
 SERIES 23 SIZES 50 THRU 300

| Series | Size | Part No. | Material Trim Code | Drawing No. |
|--------|------|----------|--------------------|-------------|
| | | | | ES-20218 |

Bray