

SERIES 20

ES-0201

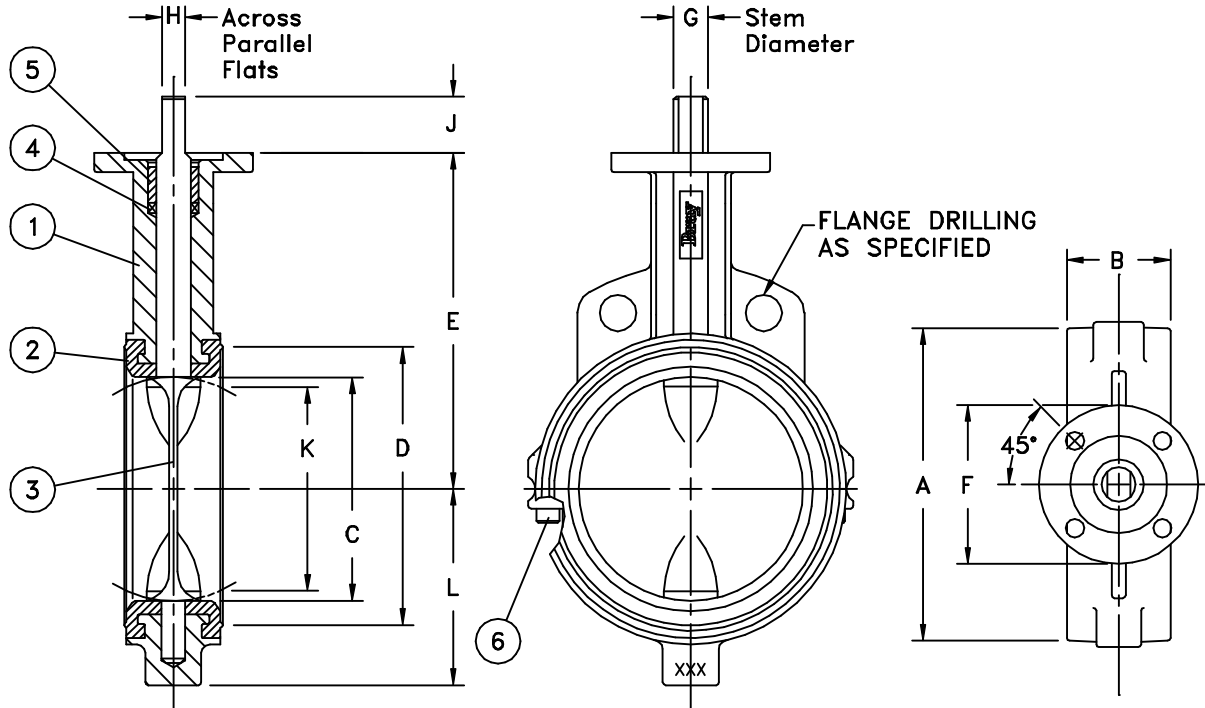
Date: July 1996

ATTENTION

THIS DOCUMENT IS VALID IF AND ONLY IF YOU PERSONALLY DOWNLOADED IF FROM WWW.BRAY.COM
 IF YOU RECEIVED THIS DOCUMENT FROM ANY OTHER SOURCE, PLEASE TAKE INTO CONSIDERATION THAT ALTERATIONS
 COULD HAVE BEEN MADE, FOR AN ORIGINAL COPY, PLEASE CONTACT BRAY VALVE AT 281-894-5454

Valve Size	A	B	C	D	E	F	Top Plate BC	Drilling No. of Holes	Hole Diameter	Top Plate Recess Depth	Recess Diameter	G	H	J	K	L	Adapter Code	Weight
25	60	30	30	44	90	65	50	4	7	4	35	10	8	25	11	40	AA	.9
40	80	32	45	64	105	65	50	4	7	4	35	10	8	25	34	51	AA	1.4
50	94	41	51	72	140	90	70	4	10	4	56	14	10	32	34	56	A	2.5
65	106	44	64	85	152	90	70	4	10	4	56	14	10	32	49	63	A	3.0
80	124	44	76	105	159	90	70	4	10	4	56	14	10	32	63	71	A	3.2
100	154	50	102	131	178	90	70	4	10	4	56	16	11	32	90	90	B	5.0
125	176	53	127	156	190	90	70	4	10	4	56	19	13	32	116	109	C	6.4
150	206	56	146	178	203	90	70	4	10	4	56	19	13	32	138	121	C	7.7
200	267	63	197	241	241	150	125	4	14.5	4	86	22	16	32	186	153	D	14.5
250	324	64	248	291	273	150	125	4	14.5	4	86	30	22	51	240	188	E	21.3
300	378	78	298	342	311	150	125	4	14.5	4	86	30	22	51	291	214	E	30.9

Note: K dlm is disc chordal dimension at valve face.



6	SCREW	2			
5	BUSHING	1			
4	PACKING	1			
3	DISC-STEM	1			
2	SEAT	1			
1	BODY	1			

ITEM No.	NAME	No. REQUIRED	SERIES/PART No.	MATERIAL	SPECIFICATION/REMARKS
----------	------	--------------	-----------------	----------	-----------------------

Valve Size _____ Flg. Drilling _____	<p>BRAY VALVE & CONTROLS A Subsidiary of BRAY INTERNATIONAL, Inc.</p> <p>PARTS LIST AND DIMENSIONS (Metric) BUTTERFLY VALVE, SERIES 20 SIZES 25mm THRU 300mm</p> <table border="1"> <thead> <tr> <th>Series</th> <th>Size</th> <th>Part No.</th> <th>Material Trim Code</th> <th>Drawing No.</th> </tr> </thead> <tbody> <tr> <td></td> <td></td> <td></td> <td></td> <td>ES-0201</td> </tr> </tbody> </table>	Series	Size	Part No.	Material Trim Code	Drawing No.					ES-0201
Series		Size	Part No.	Material Trim Code	Drawing No.						
					ES-0201						
Pressure Rating _____											
Customer/Project _____											
Inq./P.O. No. _____											
Bray Order No. _____											
Certified Correct By _____ Date _____											