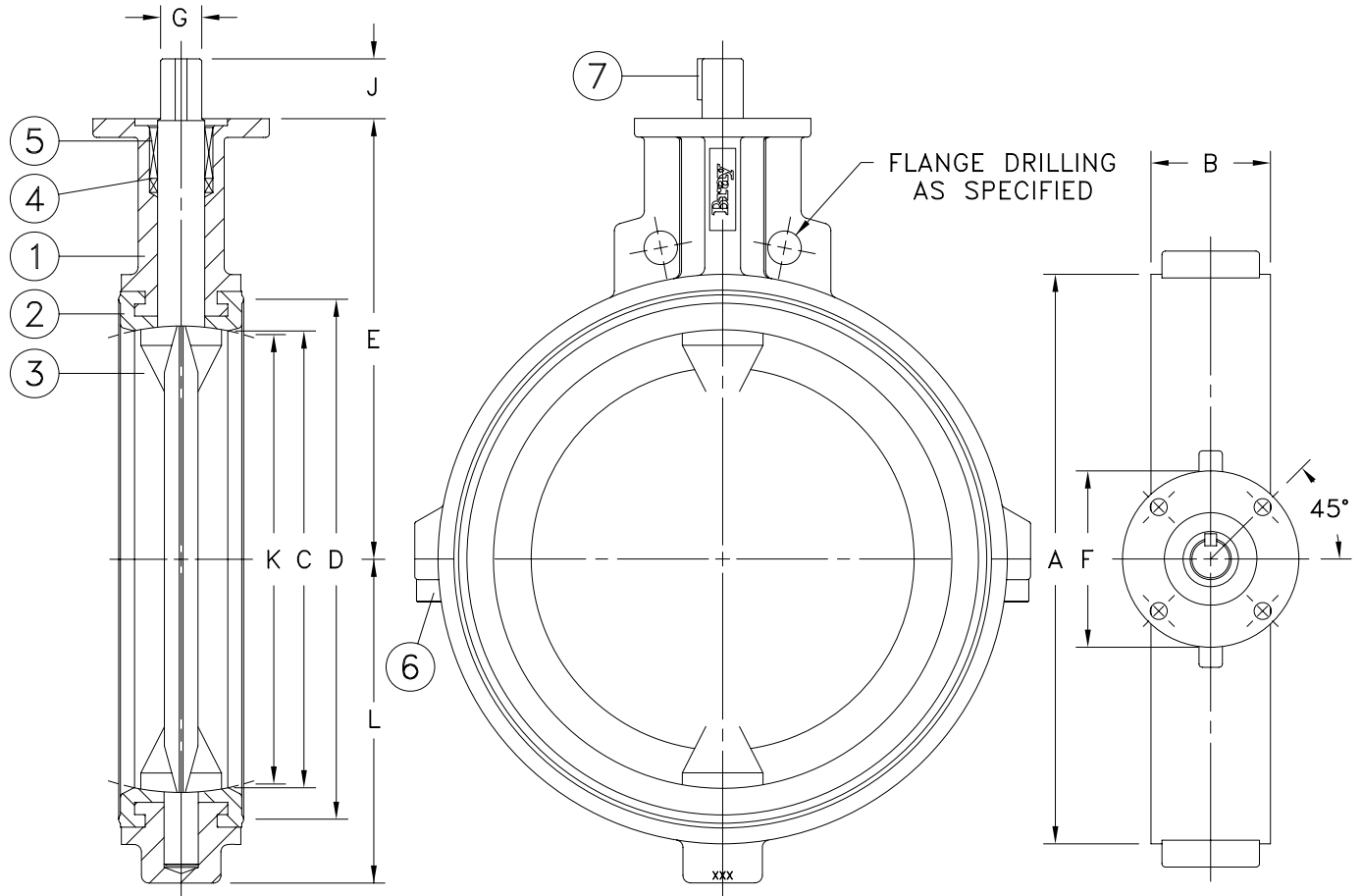


ATTENTION

THIS DOCUMENT IS VALID IF AND ONLY IF YOU PERSONALLY DOWNLOADED IT FROM WWW.BRAY.COM
IF YOU RECEIVED THIS DOCUMENT FROM ANY OTHER SOURCE, PLEASE TAKE INTO CONSIDERATION THAT ALTERATIONS
COULD HAVE BEEN MADE, FOR AN ORIGINAL COPY, PLEASE CONTACT BRAY VALVE AT 281-894-5454

Valve Size	A	B	C	D	E	F	Top BC	Plate No. of Holes	Drilling Hole Diameter	G	Key Size	J	K (Note 1)	L	Adapter Code	Weight (Kg.)
350	433	76	336	388	346	150	125	4	14	35	10x10	51	331	244	F	44
400	488	102	387	442	375	150	125	4	14	35	10x10	51	377	293	F	61
450	536	108	438	494	406	210	165	4	20	50	10x12	64	428	341	G	92
500	590	127	489	548	438	210	165	4	20	50	10x12	64	476	367	G	120

Note 1: K dim is disc chordal dimension at valve face.
Note 2: 350 Valve has 2 capscrews



7	KEY	1			
6	CAP SCREW	4 (Note 2)			
5	BUSHING	1			
4	PACKING	1			
3	DISC-STEM	1			
2	SEAT	1			
1	BODY	1			

ITEM No.	NAME	No.	SERIES/PART No.	MATERIAL	SPECIFICATION/REMARKS
----------	------	-----	-----------------	----------	-----------------------

Valve Size _____ Pressure Rating _____
 Flg. Drilling _____
 Customer/Project _____
 Inq./P.O. No. _____
 Bray Order No. _____
 Certified Correct By _____ Date _____

PARTS LIST and DIMENSIONS (Metric)
BUTTERFLY VALVE, SERIES 20
SIZES 350mm thru 500mm

Bray CONTROLS
A Division of BRAY INTERNATIONAL, Inc.

SHEET	REV.
1 OF 1	1
DRAWING NO.	
ES12A-0212	