

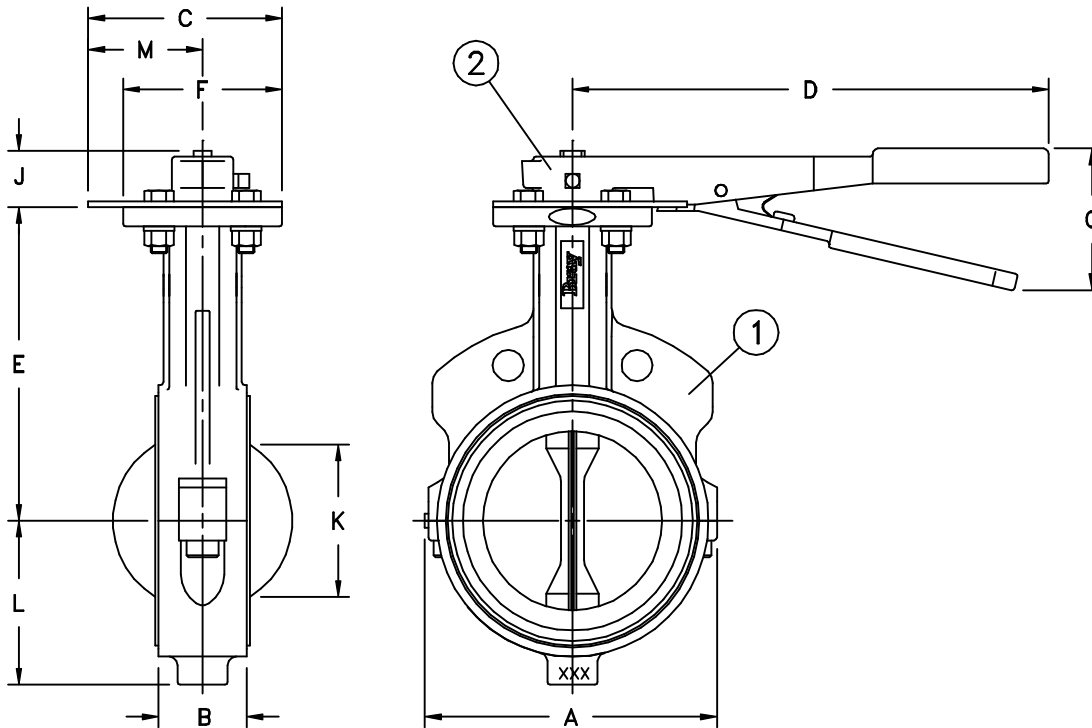
SERIES 20
ES12A-0250
Date: April 1997

ATTENTION



THIS DOCUMENT IS VALID IF AND ONLY IF YOU PERSONALLY DOWNLOADED IT FROM WWW.BRAY.COM
 IF YOU RECEIVED THIS DOCUMENT FROM ANY OTHER SOURCE, PLEASE TAKE INTO CONSIDERATION THAT ALTERATIONS
 COULD HAVE BEEN MADE, FOR AN ORIGINAL COPY, PLEASE CONTACT BRAY VALVE AT 281-894-5454

Valve Size	A	B	C	D	E	F	G	J	K	L	M
25	66	30	65	196	90	65	60	25	11	42	32
40	84	33	65	196	105	65	60	25	35	55	32
50	108	43	110	270	140	90	80	32	31	56	65
65	122	46	110	270	152	90	80	32	47	63	65
80	137	46	110	270	159	90	80	32	63	71	65
100	167	52	110	270	178	90	80	32	90	90	65
125	187	56	110	270	190	90	80	32	116	109	65
150	225	56	110	270	203	90	80	32	137	121	65
200	286	60	169	298	241	150	80	32	190	153	94
250	344	68	169	298	273	150	80	51	240	188	94
300	395	78	169	298	311	150	80	51	290	214	94

Note: K dlm is disc chordal dimension at valve face.



ITEM No.	NAME	No. REQUIRED	SERIES/PART No.	MATERIAL	SPECIFICATION/REMARKS
2	HANDLE KIT	1			
1	VALVE	1			

Valve Size _____ Flg. Drilling _____	 The High Performance Company BRAY VALVE & CONTROLS A Division of BRAY INTERNATIONAL, Inc. DIMENSIONAL DRAWING (metric) SERIES 20, 25mm thru 300mm BUTTERFLY VALVES WITH SERIES 01 HANDLE KIT AND DIN FACE TO FACE										
Pressure Rating _____											
Customer/Project _____											
Inq./P.O. No. _____											
Bray Order No. _____											
Certified Correct By _____ Date _____	<table border="1"> <thead> <tr> <th>Series</th> <th>Size</th> <th>Part No.</th> <th>Material Trim Code</th> <th>Drawing No.</th> </tr> </thead> <tbody> <tr> <td></td> <td></td> <td></td> <td></td> <td>ES12A-0250</td> </tr> </tbody> </table>	Series	Size	Part No.	Material Trim Code	Drawing No.					ES12A-0250
Series	Size	Part No.	Material Trim Code	Drawing No.							
				ES12A-0250							