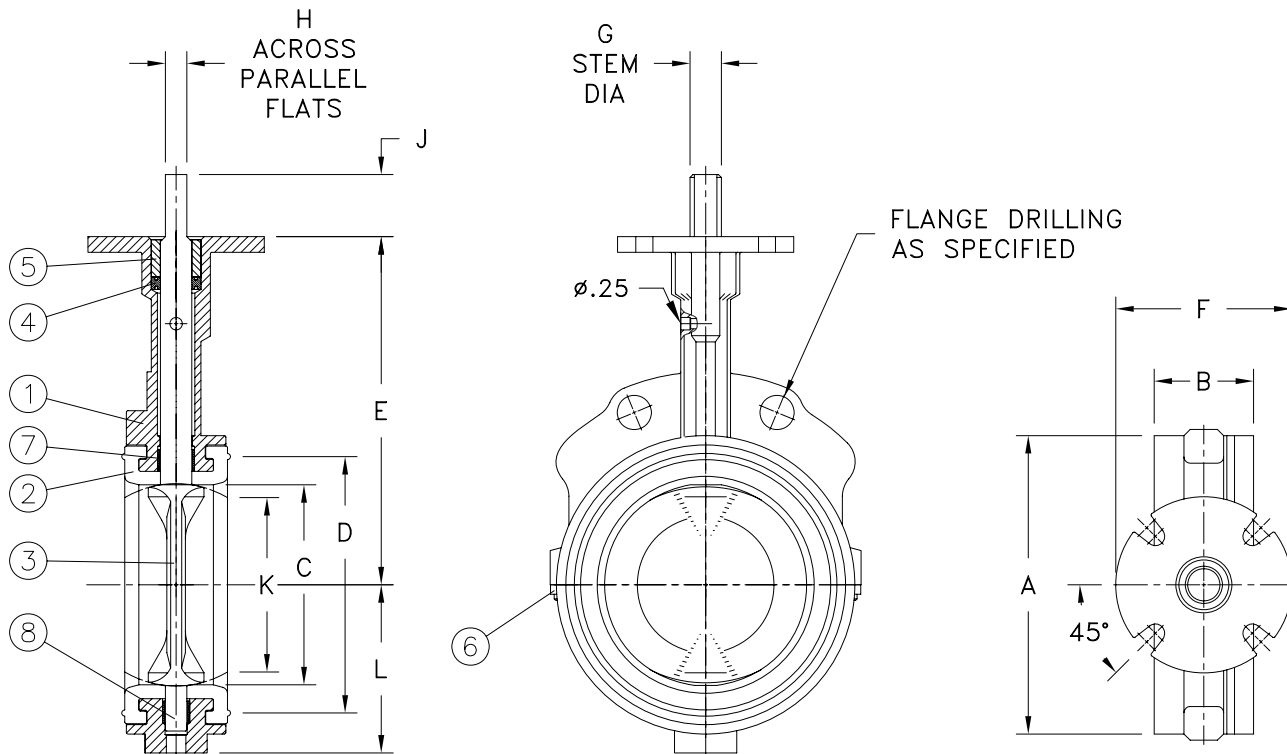


ATTENTION

THIS DOCUMENT IS VALID IF AND ONLY IF YOU PERSONALLY DOWNLOADED IT FROM WWW.BRAY.COM
IF YOU RECEIVED THIS DOCUMENT FROM ANY OTHER SOURCE, PLEASE TAKE INTO CONSIDERATION THAT ALTERATIONS
COULD HAVE BEEN MADE, FOR AN ORIGINAL COPY, PLEASE CONTACT BRAY VALVE AT 281-894-5454

Valve Size	A	B	C	D	E	F	Top BC	Plate No. of Holes	Drilling Hole Diameter	G	H	J	K	L	Adapter Code	Weight Kg.
50	94	41	51	72	140	90	70	4	10	14	10	32	34	52	A	2.5??
65	106	44	64	85	152	90	70	4	10	14	10	32	49	59	A	2.9
80	124	44	76	105	159	90	70	4	10	14	10	32	65	67	A	3.2
100	152	51	102	131	178	90	70	4	10	16	11	32	91	85	B	5.0
125	178	54	127	156	191	90	70	4	10	19	13	32	118	106	C	6.4
150	199	54	146	178	203	90	70	4	10	19	13	32	138	118	C	7.7

Note 1: K dim is disc chordal dimension at valve face.
2: For 1" & 1-1/2" Valves, see ES12A-0128



8	LOWER BUSHING	1			
7	UPPER BUSHING	1			
6	CAP SCREW	2			
5	BUSHING	1			
4	PACKING	1			
3	DISC-STEM	1			
2	SEAT	1			
1	BODY	1			
ITEM No.	NAME	No. REQUIRED	SERIES Part/No.	MATERIAL	SPECIFICATIONS

Valve Size _____ Pressure Rating _____
 Fig. Drilling _____
 Customer/Project _____
 Inq./P.O. No. _____
 Bray Order No. _____

PARTS LIST & DIMENSIONS (METRIC)
 BUTTERFLY VALVE, STAINLESS STEEL
 SERIES 20 SIZES 50mm THRU 300mm

Bray CONTROLS
 A Division of BRAY INTERNATIONAL, Inc.

SHEET 1 OF 1 REV. RFP
 DRAWING NO. ES12A-0277