

**SERIES 20  
ES-10128**

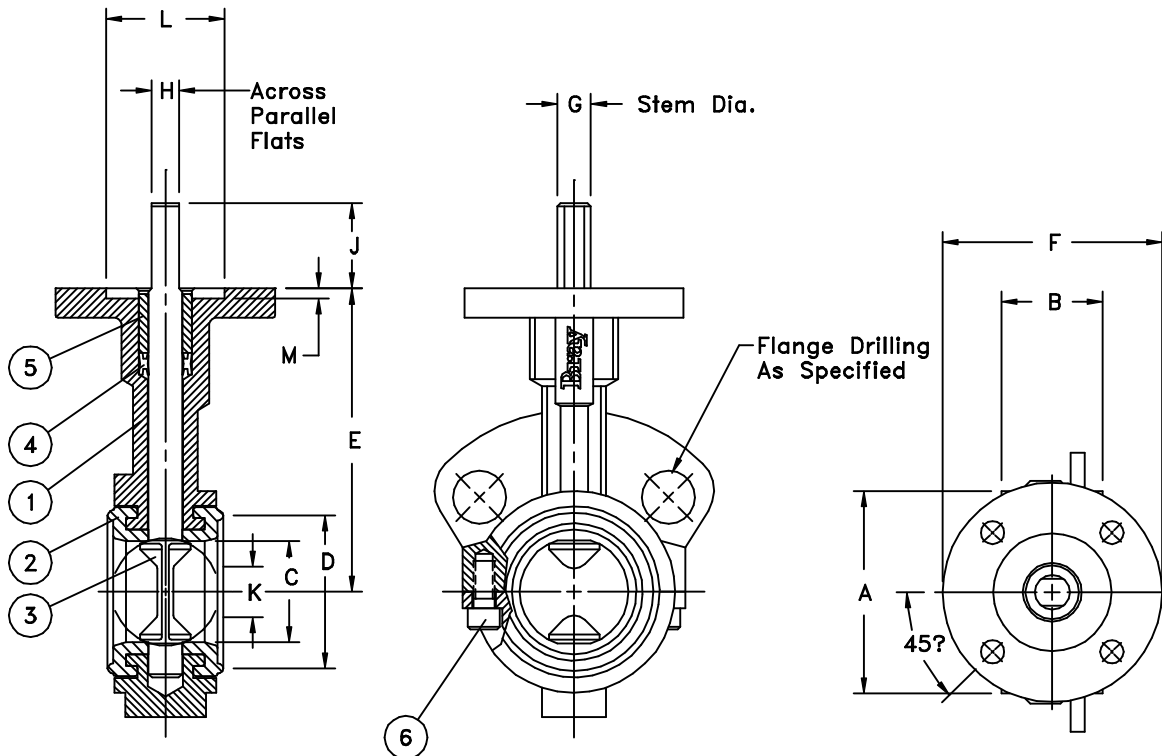
**Date: March 1991**

**\*ATTENTION\***


THIS DOCUMENT IS VALID IF AND ONLY IF YOU PERSONALLY DOWNLOADED IF FROM WWW.BRAY.COM  
IF YOU RECEIVED THIS DOCUMENT FROM ANY OTHER SOURCE, PLEASE TAKE INTO CONSIDERATION THAT ALTERATIONS  
COULD HAVE BEEN MADE, FOR AN ORIGINAL COPY, PLEASE CONTACT BRAY VALVE AT 281-894-5454

Valve Size	A	B	C	D	E	F	Top BC	Plate No. of Holes	Drilling Hole Diameter	G	H	J	K	L	M	Adapter Code	Weight (Kg)
25	60	30	30	44	90	65	50	4	7	10	8	25	11	35	3	AA	.8
40	80	32	45	64	105	65	50	4	7	10	8	25	34	35	3	AA	1.4

Note: K dim is disc chordal dimension at valve face.



6	Cap Screw	2			
5	Bushing	1			
4	Packing	1			
3	Disc-Stem	1			
2	Seat	1			
1	Body	1			
ITEM No.	NAME	No. REQUIRED	SERIES/PART No.	MATERIAL	SPECIFICATION/REMARKS

Valve Size _____ Flg. Drilling _____	 <p><b>The High Performance Company</b>  <b>BRAY VALVE &amp; CONTROLS U.S.A., INC.</b>          A Subsidiary of BRAY INTERNATIONAL, Inc.</p>										
Pressure Rating _____											
Customer/Project _____											
Inq./P.O. No. _____											
Bray Order No. _____											
Certified Correct By _____ Date _____	<p><b>PARTS LIST AND DIMENSIONS (MILLIMETERS)</b>  <b>BUTTERFLY VALVE, SERIES 20</b>  <b>SIZES 25mm AND 40mm</b></p> <table border="1"> <thead> <tr> <th>Series</th> <th>Size</th> <th>Part No.</th> <th>Material Trim Code</th> <th>Drawing No.</th> </tr> </thead> <tbody> <tr> <td></td> <td></td> <td></td> <td></td> <td>ES-10128</td> </tr> </tbody> </table>	Series	Size	Part No.	Material Trim Code	Drawing No.					ES-10128
Series	Size	Part No.	Material Trim Code	Drawing No.							
				ES-10128							

**Bray**