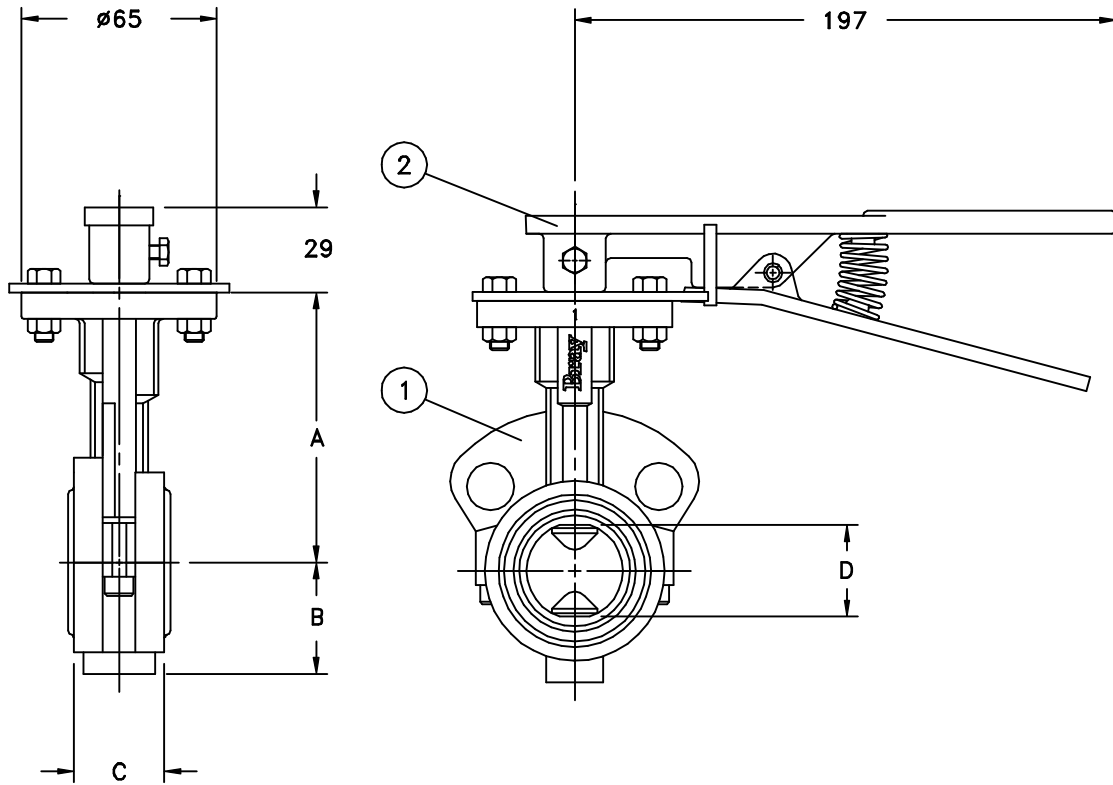


ATTENTION

THIS DOCUMENT IS VALID IF AND ONLY IF YOU PERSONALLY DOWNLOADED IF FROM WWW.BRAY.COM
 IF YOU RECEIVED THIS DOCUMENT FROM ANY OTHER SOURCE, PLEASE TAKE INTO CONSIDERATION THAT ALTERATIONS
 COULD HAVE BEEN MADE, FOR AN ORIGINAL COPY, PLEASE CONTACT BRAY VALVE AT 281-894-5454

**SERIES 20
 ES-10150
 August 1991**

Valve Size	A	B	C	D
1"	60	30	30	32
1-1/2"	80	32	45	47



2	HANDLE KIT				
1	VALVE				
ITEM No.	NAME	No. REQUIRED	SERIES/PART No.	MATERIAL	SPECIFICATION/REMARKS

Valve Size _____ Flg. Drilling _____
 Pressure Rating _____
 Customer/Project _____
 Inq./P.O. No. _____



The
 High
 Performance
 Company

**BRAY VALVE & CONTROLS
 U.S.A., INC.**
 A Subsidiary of BRAY INTERNATIONAL, Inc.

TYPICAL 25mm & 40mm SERIES 20 BUTTERFLY
 VALVE WITH SERIES 01 HANDLE KIT

