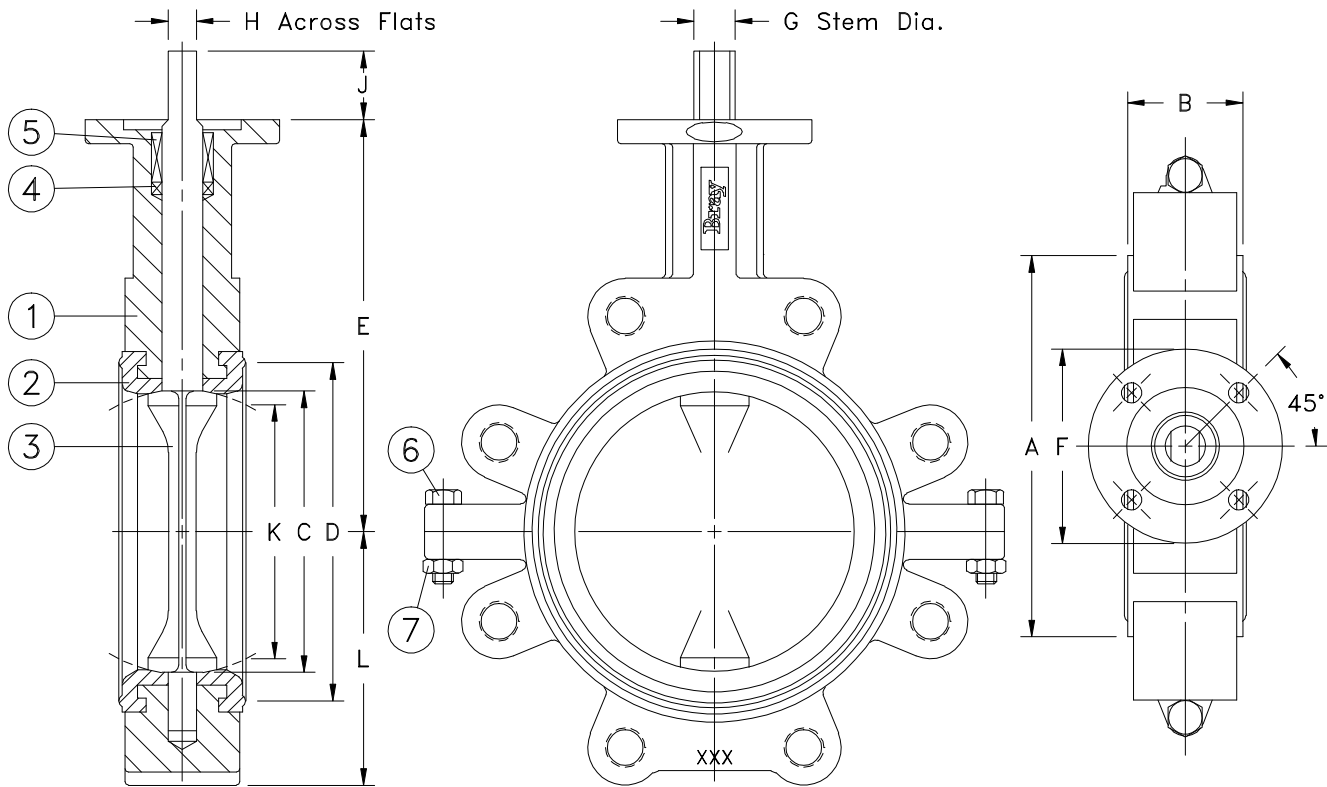


**SERIES 21**  
**ES12A-0022**  
**Date: OCT 2007**

Valve Size	A	B	C	D	E	F	Top BC	Plate No. of Holes	Drilling Hole Diameter	G	H	J	K	L	BC	Lug No. of Holes	Bolting Data Threads	Adapter Code	Weight Kg.
25	60	30	32	44	90	65	50	4	7	10	8	25	11	42	85	4	M12x1.75	AA	1.4
40	80	33	47	64	105	65	50	4	7	10	8	25	35	55	110	4	M16x2.0	AA	2.0
50	94	43	51	72	140	90	70	4	10	14	10	32	31	56	125	4	M16x2.0	A	3.2
65	106	46	64	85	152	90	70	4	10	14	10	32	47	63	145	4	M16x2.0	A	4.1
80	124	46	76	102	159	90	70	4	10	14	10	32	63	71	160	8	M16x2.0	A	4.3
100	154	52	102	131	178	90	70	4	10	16	11	32	90	90	180	8	M16x2.0	B	7.2
125	181	56	127	156	190	90	70	4	10	19	13	32	116	109	210	8	M16x2.0	C	10.0
150	206	56	146	178	203	90	70	4	10	19	13	32	137	121	240	8	M20x2.5	C	11.3
200	267	60	197	240	241	150	125	4	14	22	16	32	189	153	295	8	M20x2.5	D	20.4
250	324	68	248	291	273	150	125	4	14	30	22	51	240	188	355	12	M24x3.0	E	30.0
300	378	78	298	342	311	150	125	4	14	30	22	51	290	214	410	12	M24x3.0	E	46.3

Note: K dim is disc chordal dimension at valve face.



7	NUT	2			
6	BOLT	2			
5	BUSHING	1			
4	PACKING	1			
3	DISC-STEM	1			
2	SEAT	1			
1	BODY	1			

ITEM No.	NAME	No. REQUIRED	SERIES/PART No.	MATERIAL	SPECIFICATION/REMARKS
----------	------	--------------	-----------------	----------	-----------------------

Valve Size \_\_\_\_\_ Pressure Rating \_\_\_\_\_  
 Flg. Drilling \_\_\_\_\_  
 Customer/Project \_\_\_\_\_  
 Inq./P.O. No. \_\_\_\_\_  
 Bray Order No. \_\_\_\_\_

PARTS LIST and DIMENSIONS (Metric)  
 BUTTERFLY VALVE, SERIES 21  
 SIZES 1" thru 12"

**Bray** CONTROLS  
A Division of BRAY INTERNATIONAL, Inc.

SHEET	REV.
1 OF 1	1
DRAWING NO.	
ES12A-0022	